

LOCKWOOD™

Since 1878

Superior Engineering Premium Architectural Hardware

Miscellaneous Section



Charlestown • Chicago • Tampa • Toronto

www.lockwood1878.com

TABLE OF CONTENTS

EXIT DEVICES



PUSH BAR EXIT DEVICES

Page

N1500	Heavy Duty Rim Exit Device	
N1550	Rim Exit Device	6
N1650	Fire Rated Heavy Duty Exit Device	
N1700(F)	Vertical Rod Heavy Duty Surface Mounted Exit Device	7
N1750(F)	Mortise Lock Heavy Duty Exit Device	
N1800(F)	Alarm Exit Device	8

CROSS BAR EXIT DEVICES

N500	Heavy Duty Exit Device	
N550	Rim Exit Device	9
N650	Fire Rated Heavy Duty Exit Device	
N700(F)	Vertical Rod Heavy Duty Surface Mounted Exit Device	10
N750(F)	Mortise Lock Heavy Duty Rim Exit Device	
	How To Order	11
Exterior Trim	12
Lever Trim	13

NARROW STILE EXIT DEVICES

N900	Narrow Stile Exit Device	
N800	Concealed Vertical Rod Narrow Stile Exit Device	14
N1900(F)	Rim Type Narrow Stile Exit Device	
N1850(F)	Vertical Rod Surface Mounted Narrow Stile Exit Device	15
1600 Series Trim	For Exit Devices: N1900(F) and N1850(F) How To Order N1900(F) and N1850(F)	16
N2150(F)	Rim Type Narrow Stile Exit Device	
N2250(F)	Vertical Rod Surface Mounted Narrow Stile Exit Device	17
Outside Trim	For Exit Devices: N2150(F) and N2250(F) How To Order N2150(F) and N2250(F) Description Of Finishes	18

FEATURING

LCWD 1500	19
-----------------	----

STRIKES

.....	20
-------	----



DOOR CLOSERS

4500	Heavy Duty Multi-Size Full Feature Closer	24
7000	Standard Closer	25
7710	Power Adjustable Closer	26
9000	Heavy Duty Power Adjustable Closer	27



LOCKS

CYLINDRICAL LOCKS

8000	Cylindrical Lock How To Order 8000 Series	28
Functions	For 8000 Series	29
6000	Cylindrical Leverset 6000 Lever Styles	30

MORTISE LOCKS & TRIMS

7100	Heavy Duty Stainless Steel Mortise Lock Series	
7500	Heavy Duty Mild Steel Mortise Lock Series	31
Functions	For 7100/7500 Mortise Lock Series	32
100 & 200 TRIM	For 7100/7500 Series Lever Trim	33
ADA Kit	Compliance Kit For Mortise Lock Series	34

MORTISE CYLINDERS & RINGS

300	Cylindrical Lock Cylinder	
951	Mortise Cylinder	
956	Rim Cylinder	
Key Blanks		
Cams		
Rings	4058 Compression Ring / 44, 48, 49 Collars	35

DEADBOLTS

2200	Mortise Cylinder Tubular Deadbolt Series	
2300	Single Cylinder Heavy Duty Deadbolt	
2350	Double Cylinder Heavy Duty Deadbolt	36

AUXILIARY LOCKS

1084	Heavy Duty Auxiliary Lock Knob Latch Series	
A2214	Heavy Duty Auxiliary Lock Deadbolt Series	37



GBB79	Standard Weight Full Mortise Steel Hinge	
GBB91	Standard Weight Full Mortise Stainless Steel Hinge	38
GBB68	Heavy Weight Full Mortise Steel Hinge	
GBB99	Heavy Weight Full Mortise Stainless Steel Hinge	39
G50	Full Mortise Spring Hinge Series	
GCB	Full Mortise Concealed Bearing Hinge Series	40



FLUSH BOLTS

510M	Constant Latching Flush Bolt	
610M	Automatic Flush Bolt	41
DR1500	Fire Rated Extension Flush Bolt	
DR1500A	Extension Flush Bolt For Aluminum Doors	
DR1505	Flush Bolt	42

DOOR STOPS

DR1550	Concave Wall Stop	
DR1560	Convex Wall Stop	
DR1570	Raised Height Dome Stop	
DR1580	Low Height Dome Stop	
DR1590	Heavy Duty Wall Stop	
DR1600	Heavy Duty Floor Stop	
DR1640	Kick Down Door Stop	43

SURFACE BOLTS

DR1810	Top Center Hung Pivot Jamb Portion	
DR1820	Bottom Center Hung Pivot Door Portion	
DR1830	8" Fire Rated Heavy Duty Surface Bolt	44

SURFACE BOLTS (continuous)

DR1840	12" Heavy Duty Surface Bolt	
DR1850	18", 24", 36", 60" Heavy Duty Surface Bolt	
DR1860	Pull Plate	45

PULLS & PLATES

DR1870	5-1/2" (Center to Center) Door Pull	
DR1875	3/4" Round Door Pull	
DR1880	7" (Center to Center) Door Pull	46
DR1885	1" Round Door Pull	
DR1890	9" (Center to Center) Door Pull	
DR1895	D-Shape Door Pull	47
DR389PP	Pull Plate	
DR1900	Kick Plate (.050)	
DR1910	Push Plate (.050)	48



MISCELLANEOUS

Door Savers	49
Latch Protectors	55
Thresholds, Sweeps & Weatherstripping	57
Mullion	60
Concealed Security Chain Coordinators Corner Guards	61
Fillers Overhead Surface Type Door Holders	62
Shims Sliding Door Lock Slots Smoke Gasket	63
FEATURING Display Door	64

DESCRIPTION OF FINISHES

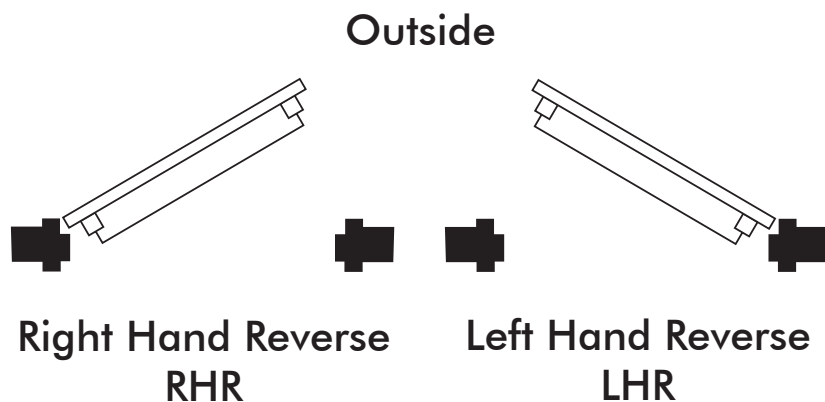


- 3 Bright Brass
- 4 Dull Brass
- 5 Satin Brass
(Blackened, satin relieved, clear coated)
- 10 Dull Bronze
- 10B Statuary Bronze
(Oil Rubbed)
- 15 Dull Nickel Plated
- 20 Statuary Bronze
- 20M Medium Bronze
- 26 Bright Chrome Plated
- 26D Dull Chrome Plated
- 27 Powder Coated Aluminum
- 28 Satin Aluminum, Clear Anodized
- 32D Dull Stainless Steel
- AMB Anodized Medium Bronze
(Duronautic)
- DBPC Dark Brown Powder Coated

When ordering Exit Devices
"LHR" or "RHR" must be specified.

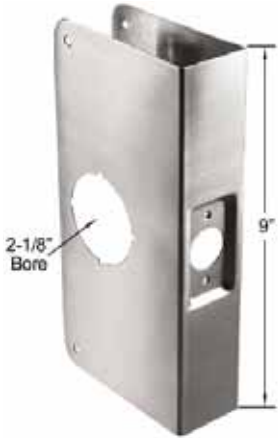
Available for devices:

N500, N650, N700(F), N750(F), N1500,
N1650, N1700(F) & N1750(F)



DOOR SAVERS

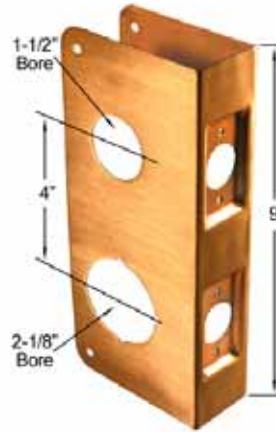
AVAILABLE IN STEEL, STAINLESS STEEL (32D), BRIGHT BRASS (3), BRONZE (10) AND OIL RUBBED BRONZE (10B)



K1 MODEL: 9" High

For cylindrical locksets 2-1/8" bore, 2-3/8" and 2-3/4" backsets

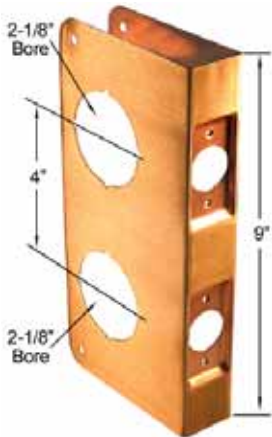
MODEL NO.	BACKSETS	DOOR THICKNESS
K 188	2-3/8"	1-3/8"
K 184	2-3/8"	1-3/4"
K 148	2-3/4"	1-3/8"
K 144	2-3/4"	1-3/4"
K5 144	5"	SPECIFY



K2 MODEL: 9" High

For cylindrical locksets and deadbolts: 1-1/2" top bore, 2-1/8" bottom bore, 2-3/8" and 2-3/4" backsets

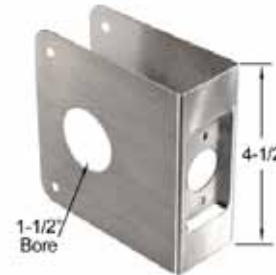
MODEL NO.	BACKSETS	DOOR THICKNESS
K 288	2-3/8"	1-3/8"
K 284	2-3/8"	1-3/4"
K 248	2-3/4"	1-3/8"
K 244	2-3/4"	1-3/4"
K5 244	5"	SPECIFY



K3 MODEL: 9" High

For cylindrical locksets and deadbolts: 2-1/8" top and bottom bore, 2-3/8" and 2-3/4" backsets

MODEL NO.	BACKSETS	DOOR THICKNESS
K 388	2-3/8"	1-3/8"
K 384	2-3/8"	1-3/4"
K 348	2-3/4"	1-3/8"
K 344	2-3/4"	1-3/4"
K5 344	5"	SPECIFY



K4 MODEL: 4-1/2" High

For cylindrical locksets or deadbolts: 1-1/2" bore, 2-3/8" and 2-3/4" backsets

MODEL NO.	BACKSETS	DOOR THICKNESS
K 488	2-3/8"	1-3/8"
K 484	2-3/8"	1-3/4"
K 448	2-3/4"	1-3/8"
K 444	2-3/4"	1-3/4"
K5 444	5"	SPECIFY



K5 MODEL: 4-1/2" High

For cylindrical locksets or deadbolts: 2-1/8" bore, 2-3/8" and 2-3/4" backsets

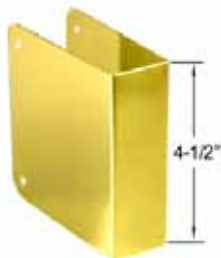
MODEL NO.	BACKSETS	DOOR THICKNESS
K 588	2-3/8"	1-3/8"
K 584	2-3/8"	1-3/4"
K 548	2-3/4"	1-3/8"
K 544	2-3/4"	1-3/4"
K5 544	5"	SPECIFY



K6 MODEL: 9" High

Blank Door Guard

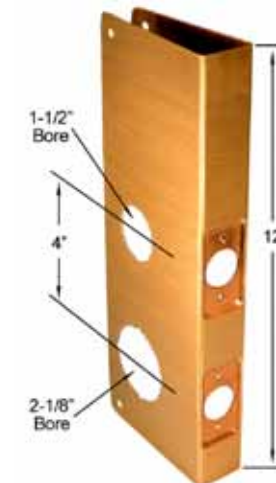
MODEL NO.	BACKSETS	DOOR THICKNESS
K 608	N/A	1-3/8"
K 604	N/A	1-3/4"



K7 MODEL: 4-1/2" High

Blank Door Guard

MODEL NO.	BACKSETS	DOOR THICKNESS
K 708	N/A	1-3/8"
K 704	N/A	1-3/4"



K8 MODEL: 12" High

For special cylindrical locksets and deadbolts: 1-1/2" top bore, 2-1/8" bottom bore, 2-3/4" backset only

MODEL NO.	BACKSETS	DOOR THICKNESS
K 858	2-3/4"	1-3/8"
K 878	2-3/4"	1-3/4"
K5 878	5"	SPECIFY

DOOR SAVERS

AVAILABLE IN STEEL, STAINLESS STEEL (32D), BRIGHT BRASS (3), BRONZE (10) AND OIL RUBBED BRONZE (10B)

EXIT DEVICES

CLOSERS

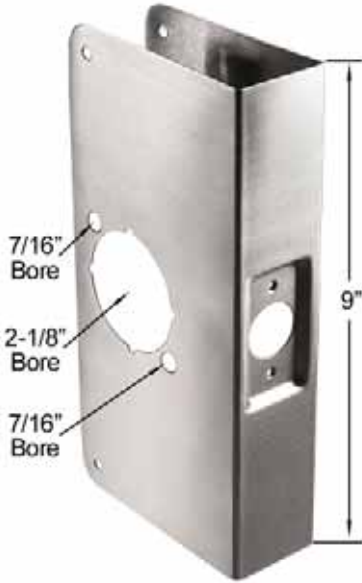
LOCKS

50

HINGES

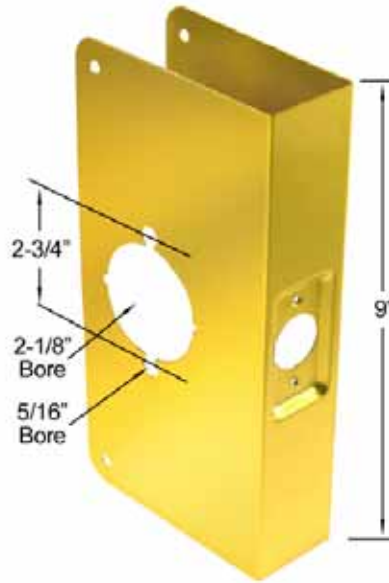
FLAT GOODS

MISCELLANEOUS



DK1 MODEL

6" or 9" HIGH
4-3/4" WIDE
2-1/8" BORE
2-3/4" BACKSET



LK1 MODEL

6" or 9" HIGH
4-3/4" WIDE
2-1/8" BORE
2-3/4" BACKSET

To Suit:

- Best 93K Lever Lock
- 73K Locksets
- Sargeant 6500 Series
- Marks 170, 190, 195 Series



F - SERIES

Any door saver in this catalogue can be ordered with a square latch cut-out (**No indentation**).

When such a cut-out is required, please place the letter "F" before the door saver model number, when ordering.



O - SERIES

Any door saver in this catalogue can be ordered with a circular cut-out (**No indentation**).

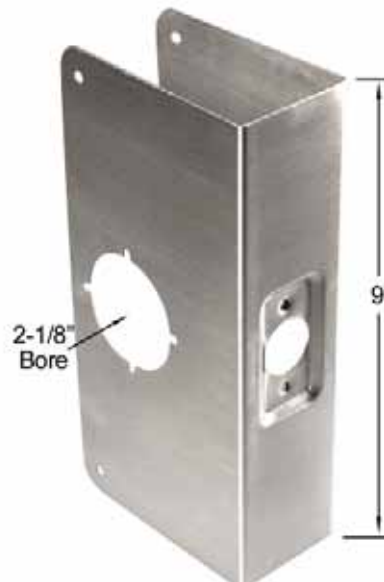
When such a cut-out is required, please place the letter "O" before the door saver model number, when ordering.



V - SERIES

Any door saver in this catalogue can be ordered with a D shaped cut-out (**No indentation**).

When such a cut-out is required, please place the letter "V" before the door saver model number, when ordering.



W - SERIES

Any door saver in this catalogue can be ordered to fit doors from thickness of 1-3/8" to 4".

How to order:

For example, ordering K144 in 32D finish for 2" thick door, the order should read "W2 K144 32D"

DOOR SAVERS

AVAILABLE IN STEEL, STAINLESS STEEL (32D), BRIGHT BRASS (3), BRONZE (10) AND OIL RUBBED BRONZE (10B)

EXIT DEVICES

CLOSERS

LOCKS

51

HINGES

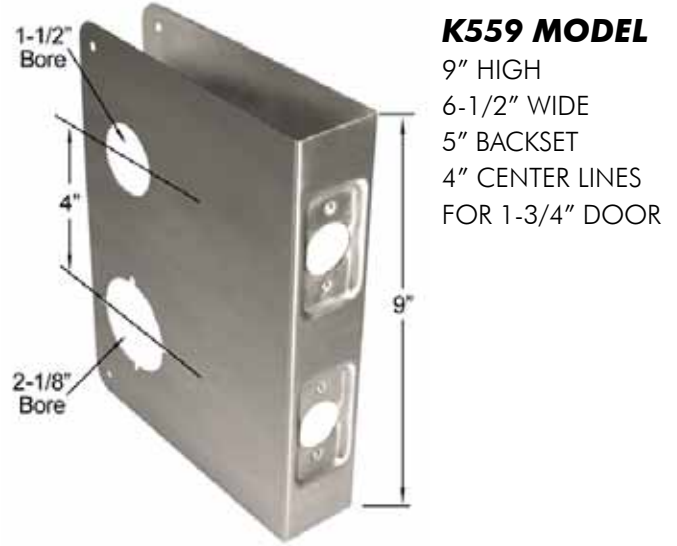
FLAT GOODS

MISCELLANEOUS



K550 MODEL

12" HIGH
6-3/4" WIDE
5" BACKSET
6" CENTER LINES
FOR 1-3/4" DOOR



K559 MODEL

9" HIGH
6-1/2" WIDE
5" BACKSET
4" CENTER LINES
FOR 1-3/4" DOOR



KF86 MODEL

Mortise lock with
function cut-out
2-3/4" BACKSET
FOR 1-3/4" DOOR
*Other models
available*



KF86SC MODEL

12" HIGH
5" WIDE
FOR 1-3/4" DOOR

86 cut-out with full
Escutcheon trim plates



K86NTP MODEL

Mortise lock door saver
NO TABS
9" HIGH
FOR 1-3/4" DOOR



K86H MODEL

12" HIGH
4" WIDE
1-1/2" BACKSET
FOR 1-3/4" DOOR

K86TP MODEL

Mortise lock door saver
WITH TABS
9" HIGH
FOR 1-3/4" DOOR

DOOR SAVERS

AVAILABLE IN STEEL, STAINLESS STEEL (32D), BRIGHT BRASS (3), BRONZE (10) AND OIL RUBBED BRONZE (10B)

EXIT DEVICES

CLOSERS

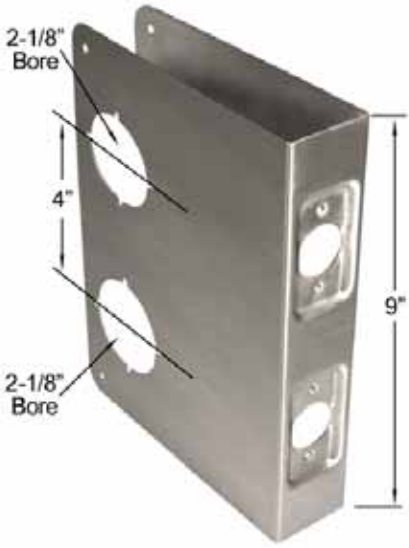
LOCKS

52

HINGES

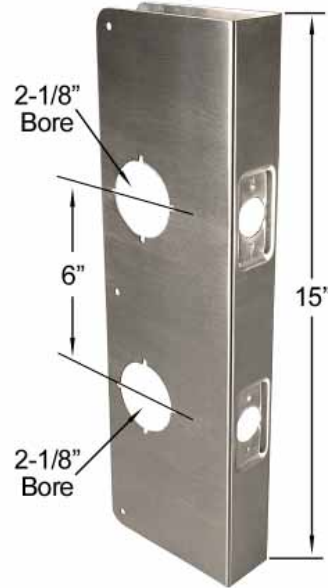
FLAT GOODS

MISCELLANEOUS



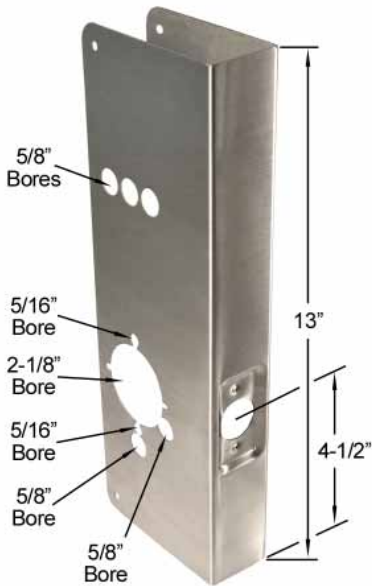
K88H MODEL

9" HIGH
6-1/2" WIDE
5" BACKSET
4" CENTER LINES
FOR 1-3/4" DOOR



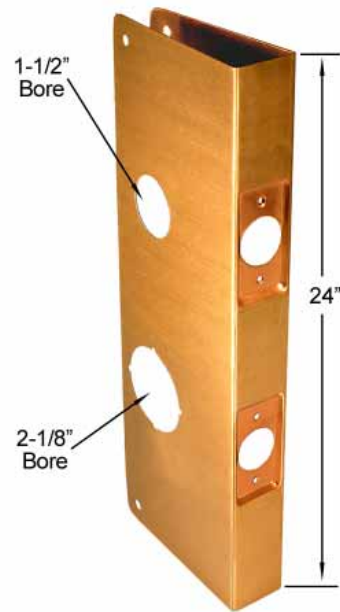
K89H MODEL

15" HIGH
5-1/4" WIDE
2-3/4" BACKSET
6" CENTER LINES
FOR 1-3/4" DOOR



K93KV MODEL

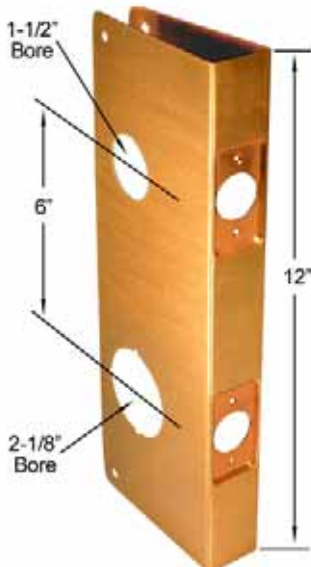
13" HIGH
4-1/2" WIDE
2-3/4" BACKSET
FOR 1-3/4" DOOR



K900 MODEL

16", 18", 20" or 24" HIGH*
4-1/2" WIDE
4", 5" or 6" CENTER LINES*
FOR 1-3/4" AND
1-3/8" DOORS

* Specify when ordering



K126 MODEL

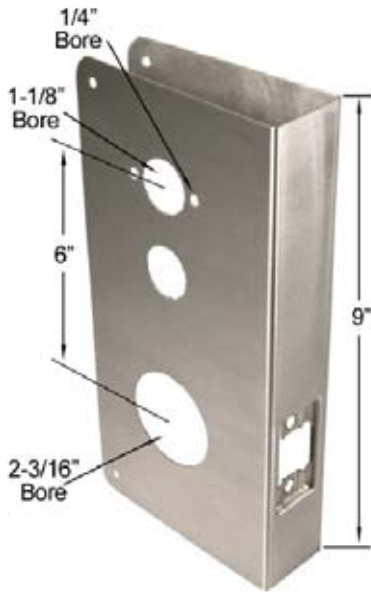
12" HIGH
4-1/4" WIDE
6" CENTER LINES
FOR 1-3/4" DOOR

CUSTOM DOOR SAVERS

Being a company defined by cutting edge technology, we are able to offer you unmatched selection and service that others can only talk about. In terms of door savers, this means we can build you virtually any size, profile and kind of door saver you wish. We can **TRULY** satisfy any of your door saver needs!

DOOR SAVERS

AVAILABLE IN STEEL, STAINLESS STEEL (32D), BRIGHT BRASS (3), BRONZE (10) AND OIL RUBBED BRONZE (10B)



K905 MODEL

9" or 15" HIGH
5" WIDE
2-3/4" BACKSET
6" CENTER LINES
FOR 1-3/4" DOOR

Also Fits:

- Simplex 1000
- Alarm Lock DL2500 Series



K905X MODEL

9" or 14" HIGH
5" WIDE
FOR 1-3/4" DOOR

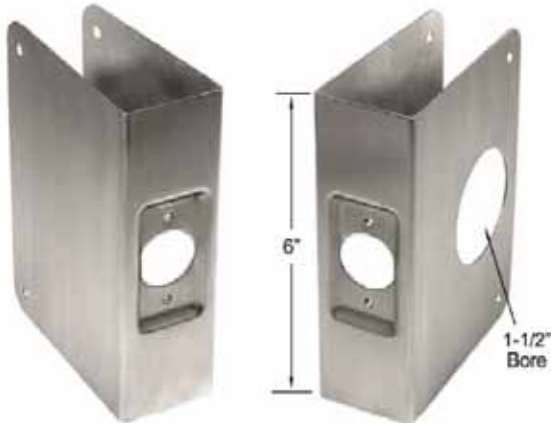
Convert The Following To Key-In-Knob Lock:

- Simplex 1000
- Alarm Lock DL2500 Series

K CHORO MODEL

6" HIGH, 4-1/4" WIDE, 2-3/4" BACKSET
FOR 1-3/4" DOOR

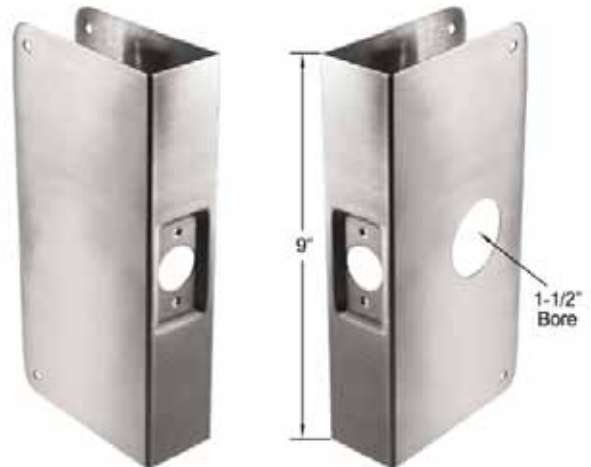
One side blank



K1 CHORO MODEL

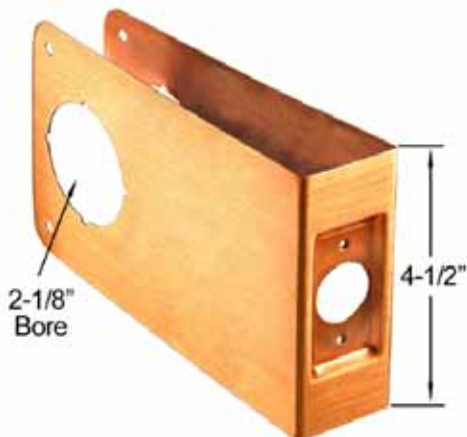
9" or 12" HIGH, 4-1/2" WIDE, 2-3/4" BACKSET

Other sizes available



KM84 MODEL

4-1/2" HIGH, 7" WIDE, 5" BACKSET
FOR 1-3/4" DOOR



K77B MODEL

9" to 83" HIGH*
2" to 8" WIDE*
FOR 1-3/4" DOOR

* Specify when ordering

DOOR SAVERS

AVAILABLE IN STEEL, STAINLESS STEEL (32D), BRIGHT BRASS (3), BRONZE (10) AND OIL RUBBED BRONZE (10B)

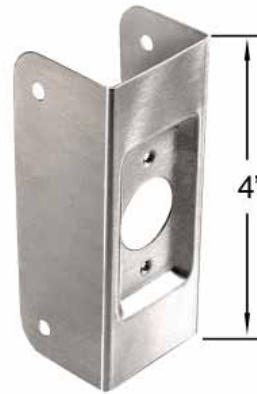


KZ HEAVY DUTY MODEL

6" HIGH
4-3/4" WIDE
FOR 1-3/4" DOOR

Works With:

- Falcon T Series
- Corbin Russwin 800
- Sargeant 10-Line
- Yale Augusta
- Arrow Sierra
- Schlage Rhodes
- Lori Retrofit Kit



KR100 MODEL

4" HIGH
1" WIDE
FOR 1-3/4" AND 1-3/8" DOORS

Specify when ordering

A unique reinforcer for Deadbolts and Key-In-Knob Locks.

How to Order

CUSTOM DOOR SAVERS

You must specify the following when order:

- Exact Height
- Exact Width
- Exact Bore Size(s)
- Thickness of the door
- Backset of Bore(s)
- Type of Material / Finish
- Series Type
- Number of Pieces



*Premium Products...
First-class Packaging...
Unbeatable Prices !*

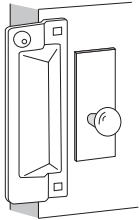
LATCH PROTECTORS

AVAILABLE IN ZINC PLATED, STAINLESS STEEL (32D), DURONAUTIC, OIL RUBBED BRONZE (10B), AND BRIGHT BRASS (3)

DR385

- For use on Cylindrical or Mortise Lockset
- Heavy duty 12 gauge steel
- Jamb pin prevents prying of door
- Furnished with Carriage Bolts & Capnuts
- SIZE: 3" X 11"

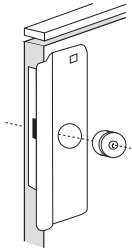
REVERSIBLE



DR386

- For use on Aluminum entrance doors
- Heavy duty 12 gauge steel
- 1-1/2" hole to suit mortise cylinder
- Furnished with Carriage Bolts & Capnuts
- SIZE: 2-5/8" X 12"

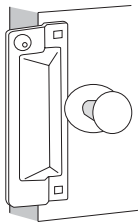
REVERSIBLE



DR385A

- For use on Cylindrical Lockset
- Pre-Punched for ease of installation
- Heavy duty 12 gauge steel
- Jamb pin prevents prying of door
- Furnished with Carriage Bolts & Capnuts
- SIZE: 3" X 11"

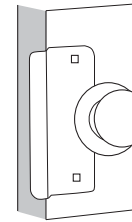
REVERSIBLE



DR387

- For use on Cylindrical Lockset
- Pre-Punched to fit around rose
- Made to suit narrow style door frames
- Heavy duty 12 gauge steel
- Furnished with Carriage Bolts & Capnuts
- SIZE: 2-5/8" X 6"

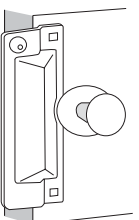
REVERSIBLE



DR385AL

- For use on Cylindrical Lockset
- For 3-1/2" Rose
- Pre-Punched for ease of installation
- Heavy duty 12 gauge steel
- Jamb pin prevents prying of door
- Furnished with Carriage Bolts & Capnuts
- SIZE: 3" X 11"

REVERSIBLE



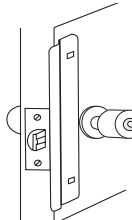
DR388

- For use on doors not flush with frame face 3/8" offset
- Furnished with Carriage Bolts & Capnuts
- SIZE: 1-7/8" X 14"

DR388A

- For use on doors not flush with face 1/2" offset
- Furnished with Carriage Bolts &
- SIZE: 1-7/8" X 14"

REVERSIBLE



EXIT DEVICES

CLOSERS

LOCKS

55

HINGES

FLAT GOODS

MISCELLANEOUS

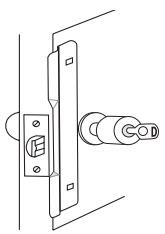
LATCH PROTECTORS

AVAILABLE IN ZINC PLATED, STAINLESS STEEL (32D), DURONAUTIC, OIL RUBBED BRONZE (10B), AND BRIGHT BRASS (3)

DR389

- For use on Cylindrical Lock preparation
- Heavy duty 12 gauge steel
- Furnished with Carriage Bolts & Capnuts
- SIZE: 1-1/2" X 6"

REVERSIBLE

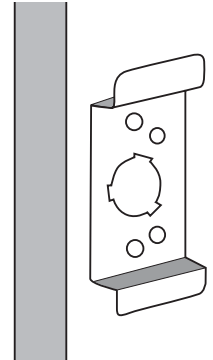


DR393

- Cylinder Pull for use on Deadlock Cylinders
- Heavy duty 12 gauge steel
- Eliminates need for separate pull
- Installs easily under Cylinder Rose, 1-1/4" hole
- SIZE: 6-3/4" X 3-1/2"

DR393A

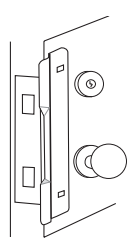
- Cylinder Pull for use on Deadlock Cylinders
- Heavy duty 12 gauge steel
- Eliminates need for separate pull
- Pull when dogged
- Installs easily under Cylinder Rose, 1-1/2" hole
- SIZE: 6-3/4" X 3-1/2"



DR390

- For use on Mortise Lock preparation
- Made to suit Rose or Escutcheon, 3-1/2" wide or less
- Heavy duty 12 gauge steel
- Furnished with Carriage Bolts & Capnuts
- SIZE: 1-1/2" X 10"

REVERSIBLE

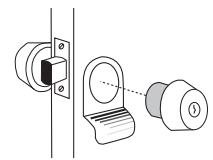


DR394

- Cylinder Pull for use on Deadlock Cylinders
- Eliminates need for separate pull
- Installs easily under Cylinder Rose, 1-1/4" hole

DR394A

- Cylinder Pull for use on Deadlock Cylinders
- Eliminates need for separate pull
- Installs easily under Cylinder Rose, 1-1/2" hole

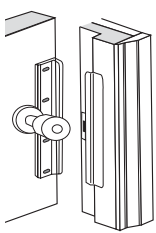


DR391

- For In-Swinging door, 6" high for Cylindrical Lockset
- Made to resist jimmying & prying or use of credit card
- Comes with one way screws

DR391A

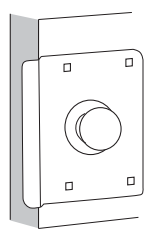
- For In-Swinging door, 12" high for Mortise Lockset
- Made to resist jimmying & prying or use of credit card
- Comes with one way screws



DR395

- For use on Cylindrical Lockset
- Heavy duty 12 gauge steel
- Furnished with Carriage Bolts & Capnuts
- SIZE: 6-1/4" X 7"

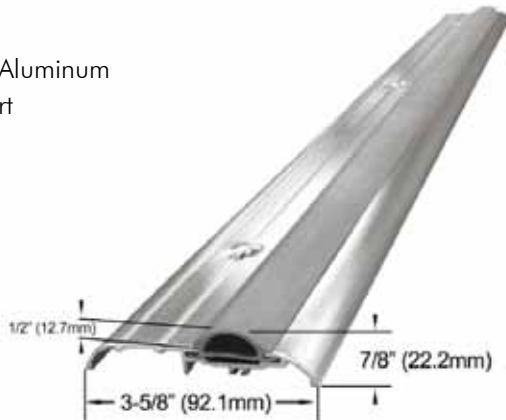
REVERSIBLE



THRESHOLDS, SWEEPS & WEATHERSTRIPPING

MK105

- Extruded Aluminum
- Vinyl Insert



MK155

- Extruded Aluminum



MK125

- Extruded Aluminum



MK165

- Extruded Aluminum



MK135

- Extruded Aluminum



MK175

- Extruded Aluminum
- Vinyl Insert



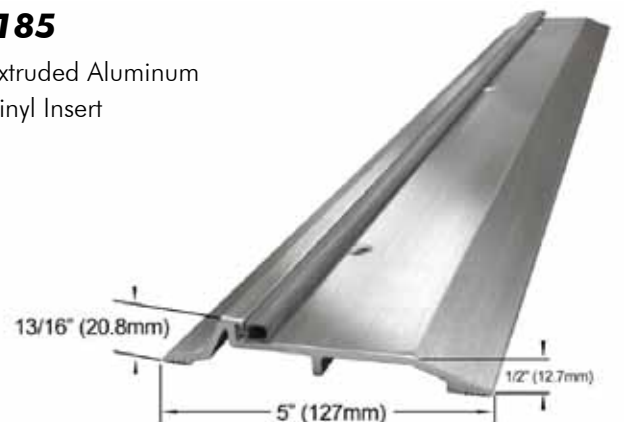
MK145

- Extruded Aluminum



MK185

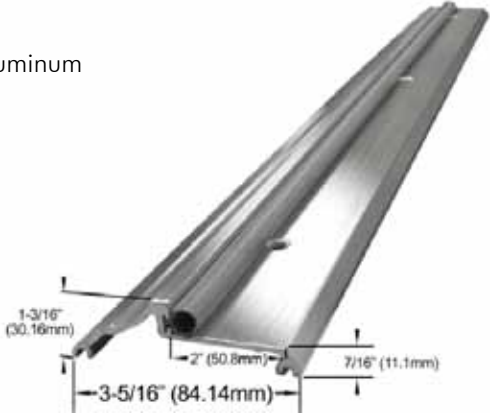
- Extruded Aluminum
- Vinyl Insert



THRESHOLDS, SWEEPS & WEATHERSTRIPPING

MK195

- Extruded Aluminum
- Vinyl Insert



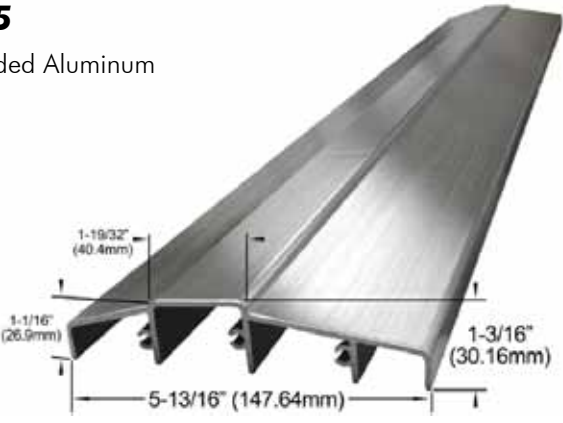
MK245

- Extruded Aluminum
- Vinyl Insert



MK205

- Extruded Aluminum



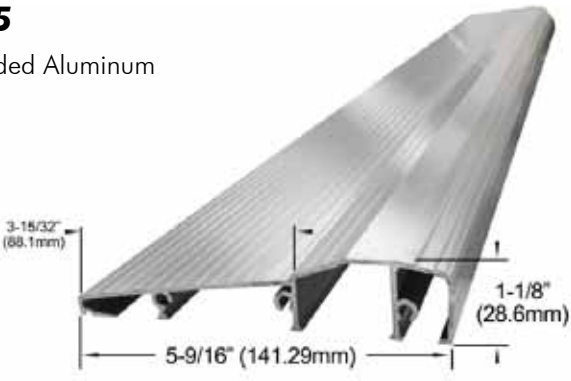
MK255

- Extruded Aluminum
- Vinyl Insert



MK215

- Extruded Aluminum



MK275

- Handicap Thresholds
- Extruded Aluminum



MK225

- Extruded Aluminum
- Vinyl Insert



MK285

- Frost Barrier Thresholds
- Extruded Aluminum



THRESHOLDS, SWEEPS & WEATHERSTRIPPING

MK285A

- Frost Barrier Thresholds
- Extruded Aluminum
- Vinyl Insert



MK295

- Extruded Aluminum
- Vinyl Insert



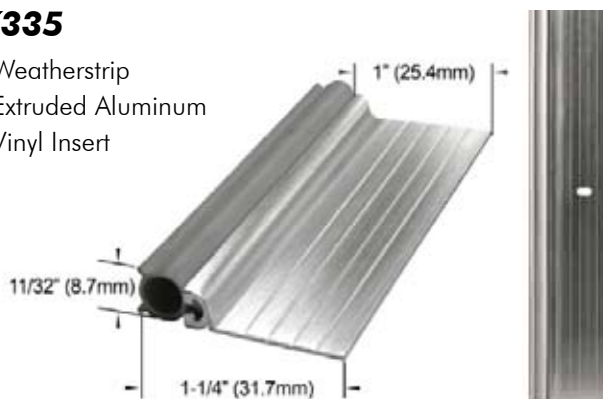
MK305

- Extruded Aluminum
- Vinyl Insert



MK335

- Weatherstrip
- Extruded Aluminum
- Vinyl Insert



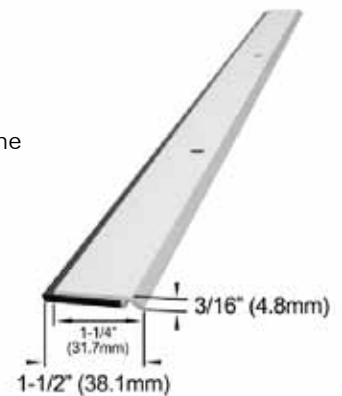
MK345

- Weatherstrip
- Extruded Aluminum
- Vinyl Insert



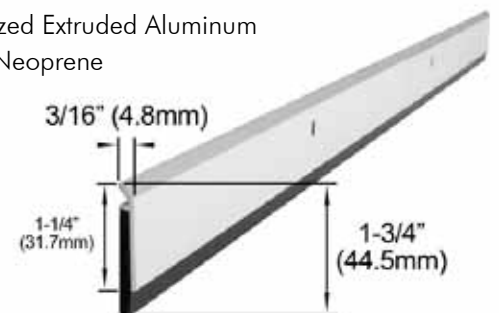
MK355

- Weatherstrip
- Extruded Aluminum
- Black Sponge Neoprene



MK365

- Door Sweep
- Clear Anodized Extruded Aluminum
- Black Solid Neoprene



MK385

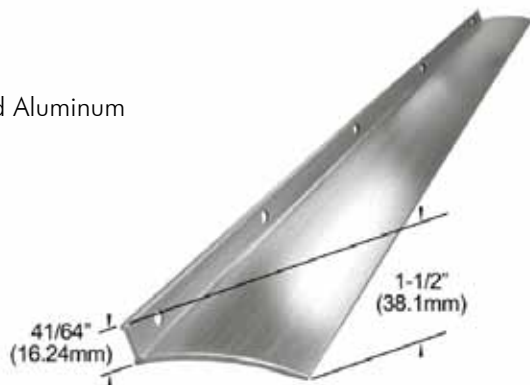
- Raincap
- Extruded Aluminum



THRESHOLDS, SWEEPS & WEATHERSTRIPPING

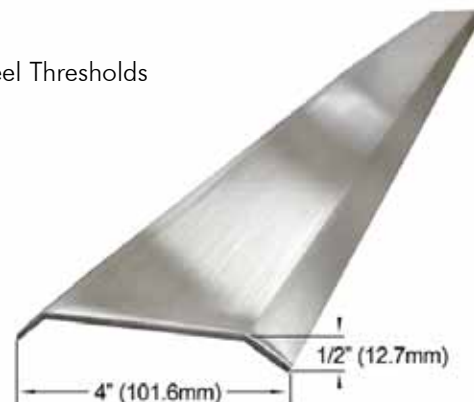
MK395

- Raincap
- Extruded Aluminum



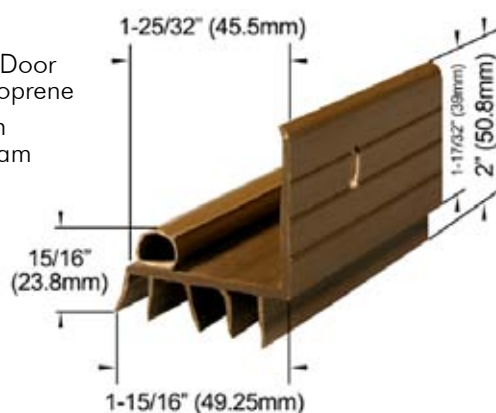
MK415

- Stainless Steel Thresholds



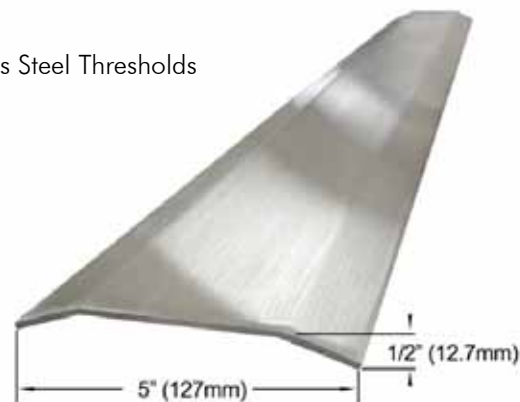
MK405

- Adjustable Door Bottom Neoprene
- Available in White, Cream and Brown



MK425

- Stainless Steel Thresholds



MULLION

MG 950

- Regular Mullion (non-fire)
- Length: 7', 8' and 10'
- Material: Aluminum
- Finished with Top and Bottom brackets complete with screws
- Size 2" x 3"
- Finish: Solid Anodized Aluminum (also available in solid stainless steel)

MG 950F

- C-UL US listed as Fire Door Hardware
- Length: 7', 8' and 10'
- Material: Steel Tubing, not drilled or tapped
- Finished with Top and Bottom brackets complete with screws
- Size 2" x 3"
- Finish: Prime Coat



MG 950



MG 950F



Top bracket

Bottom bracket



MISCELLANEOUS

CONCEALED SECURITY CHAIN

- Easy to install
- Discreet / Concealed durable chain
- Improves security



COORDINATORS

- Easy to install
- Angle type coordinator
- The door coordinator is used on double doors when inactive door needs to close before active door.

PRODUCT NO.	ARM LENGTH
DC250	9-27/32"(250MM)
DC280	11-1/64"(280MM)
DC300	11-13/16"(300MM)

In the case of a fire breaking out, even if the door which should close afterwards, begins to close first, it will be held back by the regulator until the other door has closed. Then, the lever of the regulator will disengage, permitting the remaining door to close and thus the function of the fire door will be completely fulfilled.

CORNER GUARDS

FR665

- Standard sizes: A - 2" x 2" x 48"
B - 3-1/2" x 3-1/2" x 48"
C - 4" x 4" x 48"
- Protect wall corners in heavy traffic area
- Can be ordered with holes and self-tapping screws or without holes and adhesive tape
- Available in stainless steel, brass, bronze and steel



Call for custom sizes and finishes.

MISCELLANEOUS

FILLERS

DR100 FILLER PLATE LOCK EDGE

- 1-1/8" x 2-1/4"



FR600 HINGE FILLER PLATE

- For 4-1/2" hinges
- For frames and doors



DR162 FLUSH BOLT FILLER PLATE

- 1" x 6-3/4"
- Used to blank off flush bolt cut out in door edge
- Supplied without holes for welding application



FR601 HINGE FILLER PLATE

- For 5" hinges
- For frames and doors



DR164 FLUSH BOLT FILLER PLATE

- 1" x 6-3/4"
- Used to blank off flush bolt cut out in door edge
- Use with 8/32" th'd screws, ideal for field application



OVERHEAD SURFACE TYPE DOOR HOLDERS

ST-6 REGULAR / ST-7 HEAVY DUTY

- For interior, exterior and vestibule doors
- Easily installed on any door
- Superior new design and performance
- Extruded brass channel
- Hold open bracket of hardened steel
- Arms and jamb bracket available in brass or steel
- Absorbs heavy traffic punishment, powerful heavy tempered steel shock absorber (approximately 9°)
- Fingertip hold-open control
- Appropriate screws and sex bolts furnished
- Meets Federal specifications
- Compatible with most closers (request details)
- Combined with floor closer, offers total door control
- FINISH: 15



You must specify the following when order:

- Model number
- Door width and thickness
- Mounting type (butts, pivots or center hung door)
- Type of closer or other hardware
- Opening degree
- Fastening

BUTTS OFFSET PIVOTS	CENTER HUNG PIVOTS	ST-6 REGULAR SERIES				ST-7 HEAVY DUTY SERIES			
		BRONZE ARMS		STEEL ARMS		BRONZE ARMS		STEEL ARMS	
		Hold Open	Stop	Hold Open	Stop	Hold Open	Stop	Hold Open	Stop
Door Width Inclusive		Model Number				Model Number			
27" to 32-7/16"	29-1/2" to 34-15/16"	7	12	17	22	41	46	51	56
32" to 38-11/16"	35" to 41-7/16"	8	13	18	23	42	47	52	57
38-3/4" to 42-7/16"	41-1/2" to 44-15/16"	9	14	19	24	43	48	53	58
42-1/2" to 48"	45" to 48"	10	15	20	25	44	49	54	59

MISCELLANEOUS

SHIMS

FR260 HINGE SHIMS

- 16, 18 or 20GA
- For 4-1/2" Template butts



Hinge shims for other profiles also available

FR261 HINGE SHIMS

- 16, 18 or 20GA
- For 5" Template butts



Hinge shims for other profiles also available

SLIDING DOOR LOCK

- Easy to install
- For various door thickness
- Available in different finishes



SLOTS

DR888 MAIL SLOT

- Overall Size: 10" x 3"
- Plate Opening: 7-1/2" x 1-1/2"
- FINISHES: 3, 5, 10B, 26D, 32D



DR889 MAGAZINE SLOT

- Overall Size: 13" x 3-3/4"
- Plate Opening: 11" x 2"
- FINISHES: 3, 5, 10B, 26D, 32D

Available in other designs and sizes

SMOKE GASKET

FR660

- 340 foot reels, adhesive backing
- C-UL US listed

FR661

- 17 foot package, adhesive backing
- C-UL US listed

FR662

- 20 foot package, adhesive backing
- C-UL US listed



LOCKWOOD™ 

exit devices

door closers

cylindrical locks

hinges

thresholds

kick plates

louvers

mortise locks

flush bolts

lite kits

surface bolts



www.lockwood1878.com

1-800-446-1141 (USA/Mexico) ■ 1-888-678-9898 (Canada) ■ info@lockwood1878.com

DISPLAY DOOR

EXIT DEVICES

CLOSERS

LOCKS

64

HINGES

FLAT GOODS

MISCELLANEOUS

LOCKWOOD™

Since 1878

Lockwood Industries Inc.

USA/Mexico Tel:1•800•446•1141 Fax:1•603•826•4186

Canada Tel:1•888•678•9898 Fax:1•888•503•6667

Web site www.lockwood1878.com

e-mail info@lockwood1878.com