

LOCKWOOD™

Since 1878

Superior Engineering

Premium Architectural Hardware

Locks Section



Charlestown • Chicago • Tampa • Toronto

www.lockwood1878.com

TABLE OF CONTENTS

EXIT DEVICES



PUSH BAR EXIT DEVICES		Page
N1500	Heavy Duty Rim Exit Device	
N1550	Rim Exit Device	6
N1650	Fire Rated Heavy Duty Exit Device	
N1700(F)	Vertical Rod Heavy Duty Surface Mounted Exit Device	7
N1750(F)	Mortise Lock Heavy Duty Exit Device	
N1800(F)	Alarm Exit Device	8
CROSS BAR EXIT DEVICES		
N500	Heavy Duty Exit Device	
N550	Rim Exit Device	9
N650	Fire Rated Heavy Duty Exit Device	
N700(F)	Vertical Rod Heavy Duty Surface Mounted Exit Device	10
N750(F)	Mortise Lock Heavy Duty Rim Exit Device	
	How To Order	11
Exterior Trim	12
Lever Trim	13
NARROW STILE EXIT DEVICES		
N900	Narrow Stile Exit Device	
N800	Concealed Vertical Rod Narrow Stile Exit Device	14
N1900(F)	Rim Type Narrow Stile Exit Device	
N1850(F)	Vertical Rod Surface Mounted Narrow Stile Exit Device	15
1600 Series Trim	For Exit Devices: N1900(F) and N1850(F) How To Order N1900(F) and N1850(F)	16
N2150(F)	Rim Type Narrow Stile Exit Device	
N2250(F)	Vertical Rod Surface Mounted Narrow Stile Exit Device	17
Outside Trim	For Exit Devices: N2150(F) and N2250(F) How To Order N2150(F) and N2250(F) Description Of Finishes	18
FEATURING	LCWD 1500	19
STRIKES	20



DOOR CLOSERS

4500	Heavy Duty Multi-Size Full Feature Closer	24
7000	Standard Closer	25
7710	Power Adjustable Closer	26
9000	Heavy Duty Power Adjustable Closer	27



LOCKS

CYLINDRICAL LOCKS

8000	Cylindrical Lock How To Order 8000 Series	28
Functions	For 8000 Series	29
6000	Cylindrical Leverset 6000 Lever Styles	30

MORTISE LOCKS & TRIMS

7100	Heavy Duty Stainless Steel Mortise Lock Series	
7500	Heavy Duty Mild Steel Mortise Lock Series	31
Functions	For 7100/7500 Mortise Lock Series	32
100 & 200 TRIM	For 7100/7500 Series Lever Trim	33
ADA Kit	Compliance Kit For Mortise Lock Series	34

MORTISE CYLINDERS & RINGS

300	Cylindrical Lock Cylinder	
951	Mortise Cylinder	
956	Rim Cylinder	
Key Blanks		
Cams		
Rings	4058 Compression Ring / 44, 48, 49 Collars	35

DEADBOLTS

2200	Mortise Cylinder Tubular Deadbolt Series	
2300	Single Cylinder Heavy Duty Deadbolt	
2350	Double Cylinder Heavy Duty Deadbolt	36

AUXILIARY LOCKS

1084	Heavy Duty Auxiliary Lock Knob Latch Series	
A2214	Heavy Duty Auxiliary Lock Deadbolt Series	37



GBB79	Standard Weight Full Mortise Steel Hinge	
GBB91	Standard Weight Full Mortise Stainless Steel Hinge	38
GBB68	Heavy Weight Full Mortise Steel Hinge	
GBB99	Heavy Weight Full Mortise Stainless Steel Hinge	39
G50	Full Mortise Spring Hinge Series	
GCB	Full Mortise Concealed Bearing Hinge Series	40



FLUSH BOLTS

510M	Constant Latching Flush Bolt	
610M	Automatic Flush Bolt	41
DR1500	Fire Rated Extension Flush Bolt	
DR1500A	Extension Flush Bolt For Aluminum Doors	
DR1505	Flush Bolt	42

DOOR STOPS

DR1550	Concave Wall Stop	
DR1560	Convex Wall Stop	
DR1570	Raised Height Dome Stop	
DR1580	Low Height Dome Stop	
DR1590	Heavy Duty Wall Stop	
DR1600	Heavy Duty Floor Stop	
DR1640	Kick Down Door Stop	43

SURFACE BOLTS

DR1810	Top Center Hung Pivot Jamb Portion	
DR1820	Bottom Center Hung Pivot Door Portion	
DR1830	8" Fire Rated Heavy Duty Surface Bolt	44

SURFACE BOLTS (continuous)

DR1840	12" Heavy Duty Surface Bolt	
DR1850	18", 24", 36", 60" Heavy Duty Surface Bolt	
DR1860	Pull Plate	45

PULLS & PLATES

DR1870	5-1/2" (Center to Center) Door Pull	
DR1875	3/4" Round Door Pull	
DR1880	7" (Center to Center) Door Pull	46
DR1885	1" Round Door Pull	
DR1890	9" (Center to Center) Door Pull	
DR1895	D-Shape Door Pull	47
DR389PP	Pull Plate	
DR1900	Kick Plate (.050)	
DR1910	Push Plate (.050)	48

MISCELLANEOUS



Door Savers	49
Latch Protectors	55
Thresholds, Sweeps & Weatherstripping	57
Mullion	60
Concealed Security Chain Coordinators	
Corner Guards	61
Fillers	
Overhead Surface Type Door Holders	62
Shims	
Sliding Door Lock	
Slots	
Smoke Gasket	63
FEATURING Display Door	64

DESCRIPTION OF FINISHES

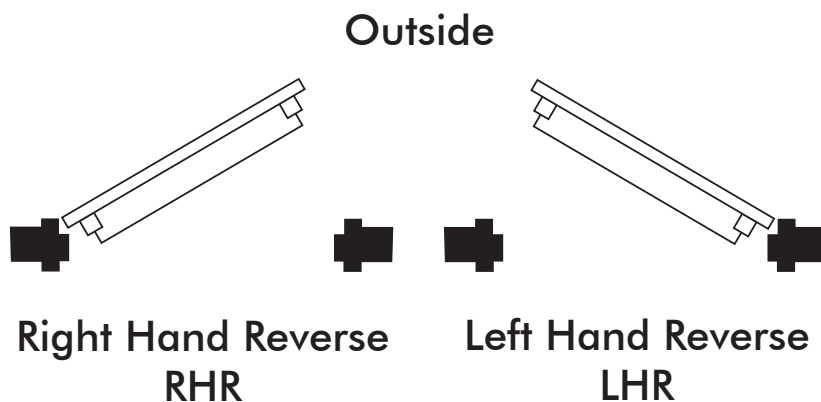


- 3 Bright Brass
- 4 Dull Brass
- 5 Satin Brass
(Blackened, satin relieved, clear coated)
- 10 Dull Bronze
- 10B Statuary Bronze
(Oil Rubbed)
- 15 Dull Nickel Plated
- 20 Statuary Bronze
- 20M Medium Bronze
- 26 Bright Chrome Plated
- 26D Dull Chrome Plated
- 27 Powder Coated Aluminum
- 28 Satin Aluminum, Clear Anodized
- 32D Dull Stainless Steel
- AMB Anodized Medium Bronze
(Duronautic)
- DBPC Dark Brown Powder Coated

**When ordering Exit Devices
"LHR" or "RHR" must be specified.**

Available for devices:

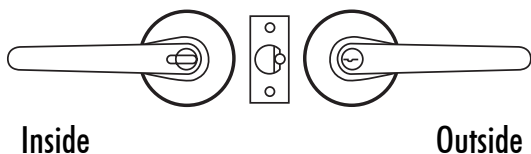
N500, N650, N700(F), N750(F), N1500,
N1650, N1700(F) & N1750(F)



SERIES

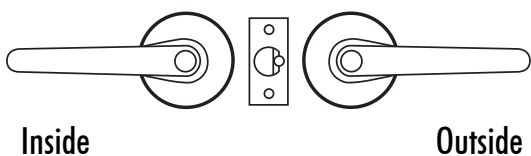
FUNCTION DESCRIPTION

8000 Entry Deadlatch



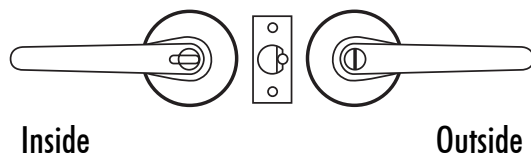
- Latchbolt operated by lever from either side
- Outside lever locked by push button from inside
- Unlocked by key from outside or rotating inside lever
- When outside lever locked by push and turn button from inside, key from outside or rotating inside lever retracts latch, does not unlock outside lever
- Deadlocking (guarded) latchbolt

8001 Passage Springlatch



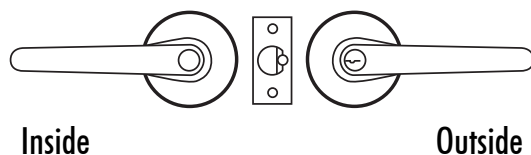
- Latchbolt operated by lever from either side at all times
- Deadlocking (guarded) latchbolt

8002 Privacy Springlatch



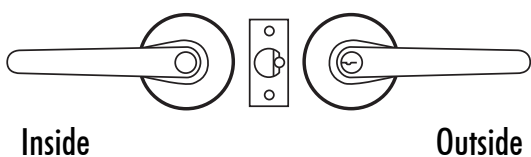
- Latchbolt operated by lever from either side
- Outside lever locked by push button from inside
- Unlocked by emergency release on outside, rotating inside lever, or closing door
- Deadlocking (guarded) latchbolt

8006 Classroom Springlatch



- Latchbolt operated by lever from either side
- Outside lever locked or unlocked by key from outside
- Inside lever always operates latch
- Deadlocking (guarded) latchbolt

8008 Storeroom Deadlatch



- Latchbolt operated by rotating inside lever or key in outside lever
- Outside lever always fixed
- Deadlocking (guarded) latchbolt

6000

CYLINDRICAL LEVERSET (KEY-IN-LEVER)

- Easy to install and superior engineering
- Meets ADA requirements; Designed for Barrier Free Application. Conforms with ANSI 156.2 Series 6000 Grade 2.
- For Doors 1-3/4" thick
- Reversible, non-handed
- High precision pick resistant 6 pin tumbler solid brass cylinder
- Interchangeable cylinders (Turn key one-quarter to remove and replace cylinder)
- Latchbolt is solid brass 1/2" throw for all keyed and non-keyed sets, UL listed, three hour fire rated for all functions
- Individual spring on each side to prevent lever sag, maintains reliability, reduces maintenance
- Cylindrical body with coil compression springs provides great strength and durability. Two side spindles supporting mechanism eliminates lever wobble
- Removable Thru-bolt
- Concealed screw mounting
- 1-1/4" x 4-7/8" A.S.A. strike standard, 1-1/8" x 2-3/4" T strike optional
- 2-3/4" Backset



6100



- CL Series (clutch) available. Free turning handle in the locked position without opening door to deter breaking of the handle
- Over 26 Lockwood 6 pin keyways available; keyed alike, Master keyed, Grand Master Keyed and Construction Master keyed. Schlage "C" keyway available
- FINISHES: 3, 4, 10, 10B, 26, 26D

6000 Lever Styles

AVAILABLE IN BRIGHT BRASS (3), DULL BRASS (4), DULL BRONZE (10), STATUARY BRONZE-OIL RUBBED (10B), BRIGHT CHROME PLATED (26), DULL CHROME PLATED (26D)



6100



6200



6300



6400



6500



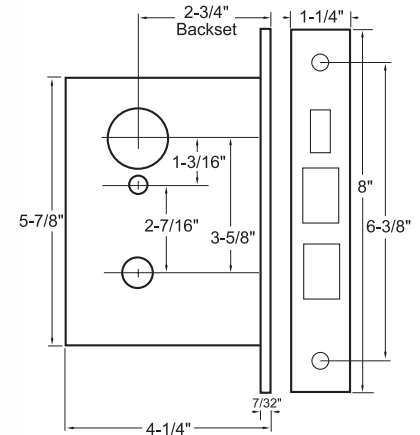
6600

LOCKWOOD™

7100

HEAVY DUTY STAINLESS STEEL MORTISE LOCK SERIES

- Easy to install and superior engineering
- UL listed for doors rated up to and including 3 hour fire rating
- Conform to ANSI A156.13 Series 1000 Grade 1. This series comes standard as a complete stainless steel lockset; all parts, components, pins, fasteners, and springs are made of solid stainless steel
- Lock case is heavy gauge #304 stainless steel 5-7/8" x 4" x 15/16"
- Front is heavy gauge #304 stainless steel 8" x 1-1/4" x 7/32", adjustable to 1/8" in 2" bevel both ways
- Armored Front (Face Plate) is solid brass, solid bronze or #304 stainless steel
- Deadbolt is solid stainless steel 9/16" x 1-1/8" x 1 throw
- Latchbolt is solid stainless steel 5/8" x 1" x 3/4"
- Hubs are 5/16" solid stainless steel on a square; thumb turn hub 3/16" solid stainless steel
- Center to center lever to cylinder 3-5/8"; center to center lever to thumb turn 2-7/16"
- 2-3/4" Backset
- 4-7/8" x 1-1/4" ASA strike in solid brass, solid bronze or solid stainless steel

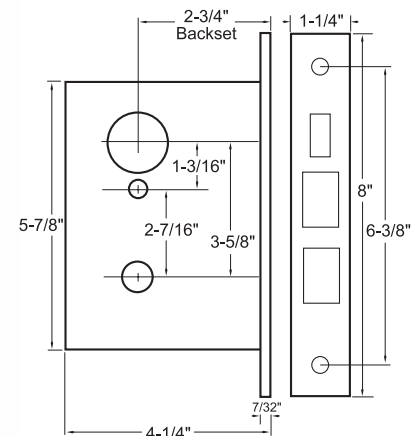


The 7100 is the only completely stainless steel mortise lock made in the USA

7500

HEAVY DUTY MILD STEEL MORTISE LOCK SERIES

- Easy to install and superior engineering
- UL listed for doors rated up to and including 3 hour fire rating
- Conform to ANSI A156.13 Series 1000 Grade 1
- Lock case is heavy gauge cold rolled steel plated 5-7/8" x 4" x 15/16"
- Front is heavy gauge cold rolled steel plate 8" x 1-1/4" x 7/32", adjustable from flat to 1/8" in 2" bevel both ways
- Armored Front (Face Plate) is solid brass, solid bronze or #304 stainless steel
- Deadbolt is solid stainless steel or forged brass 9/16" x 1-1/8" x 1 throw
- Latchbolt is forged brass or solid stainless steel 5/8" x 1" x 3/4"
- Hubs are 5/16" solid stainless steel or forged brass; thumb turn hub 3/16" solid stainless steel or forged brass
- Center to center lever to cylinder 3-5/8"; center to center lever to thumb turn 2-7/16"
- 2-3/4" Backset
- 4-7/8" x 1-1/4" ASA strike in solid brass, solid bronze or solid stainless steel



Functions

FOR 7100/7500 SERIES



SERIES	ANSI NUMBER	INSIDE	OUTSIDE	FUNCTION DESCRIPTION
7101 7501	F01			Passage or Closet Latch: Latchbolt operated by lever from either side at all times.
7104 7504	F04			Entry Lock: Latchbolt operated by lever from either side except when outside lever is made inoperative by a stop or mechanical means other than a key. When outside lever is locked latchbolt may be retracted by key from outside or by rotating inside lever. Auxiliary deadlatch.
7105 7505	F05			Classroom Lock: Latchbolt operated by lever from either side except when outside lever is locked from outside by key. When outside lever is locked, latchbolt may be retracted by key from outside or by rotating inside lever. Auxiliary deadlatch.
7107 7507	F07			Storeroom or Closet Lock: Latchbolt operated by key from outside or by rotating inside lever. Outside lever is always inoperative. Auxiliary deadlatch.
7109 7509	F09			Apartment, Exit or Public Toilet Lock: Latchbolt operated by lever from either side except when outside lever is locked by key from inside. When outside lever is locked, latchbolt may be retracted by key from outside or by rotating inside lever. Auxiliary deadlatch.
7111 7511	F11			Dormitory or Exit Lock: Latchbolt operated by lever from either side except when outside lever is made inoperative by a stop or mechanical means other than keys. Deadbolt projected by key from either side. Deadbolt retracted by key from the outside. Both bolts retracted by inside lever.
7112 7512	F12			Dormitory or Exit Lock: Latchbolt operated by lever from either side except when outside lever is made inoperative by a stop or mechanical means other than keys. Deadbolt projected by key from outside and by turn from inside. Deadbolt retracted by key from the outside. Both bolts retracted by inside lever.
7113 7513	F13			Dormitory or Exit Lock: Latchbolt operated by lever from either side. Deadbolt operated by key outside and thumb turn inside. Rotating inside lever retracts both bolts.
7114 7514	F14			Store Door Lock: Latchbolt operated by lever from either side. Deadbolt operated by key from either side.
7116 7516	F16			Deadlock: Deadbolt operated by key from either side.
7117 7517	F17			Deadlock: Deadbolt operated by key outside and by thumb turn inside.
7118 7518	F18			Deadlock: Deadbolt operated by key outside only.
7119 7519	F19			Privacy, Bedroom or Bath Lock: Latchbolt operated by lever from either side. Deadbolt operated by turn inside and emergency release from outside. Rotating inside lever retracts both bolts.
7120 7520	F20			Apartment Corridor Lock: Latchbolt operated by lever from either side except when locked by device inside. Deadbolt operated by turn inside, key outside. Both bolts retract by lever.

EXIT DEVICES

CLOSERS

LOCKS

32

HINGES

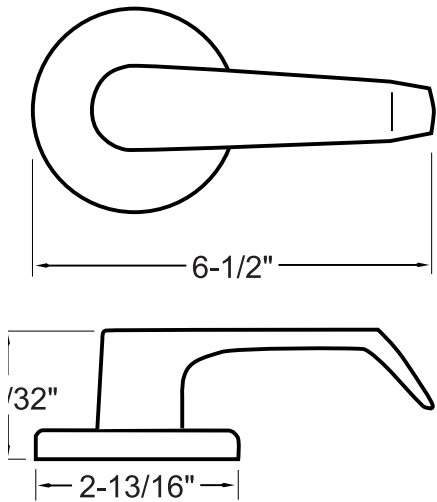
FLAT GOODS

MISCELLANEOUS

100

Sectional Trim

- Easy to install
- Superior engineering
- FINISHES: 3, 4, 5, 10, 10B, 15, 26, 26D



EXIT DEVICES

CLOSERS

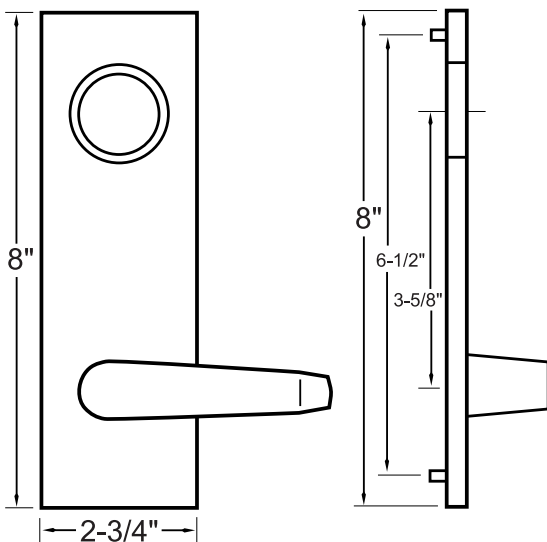
LOCKS

33

200

Escutcheon Trim

- Easy to install
- Superior engineering
- FINISHES: 3, 4, 10, 10B, 26, 26D, 32D



HINGES

FLAT GOODS

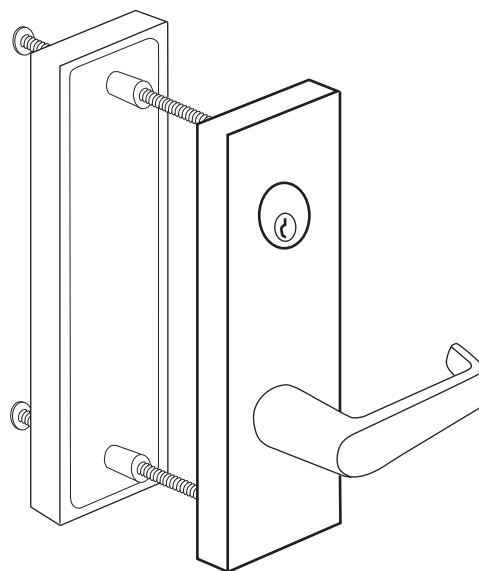
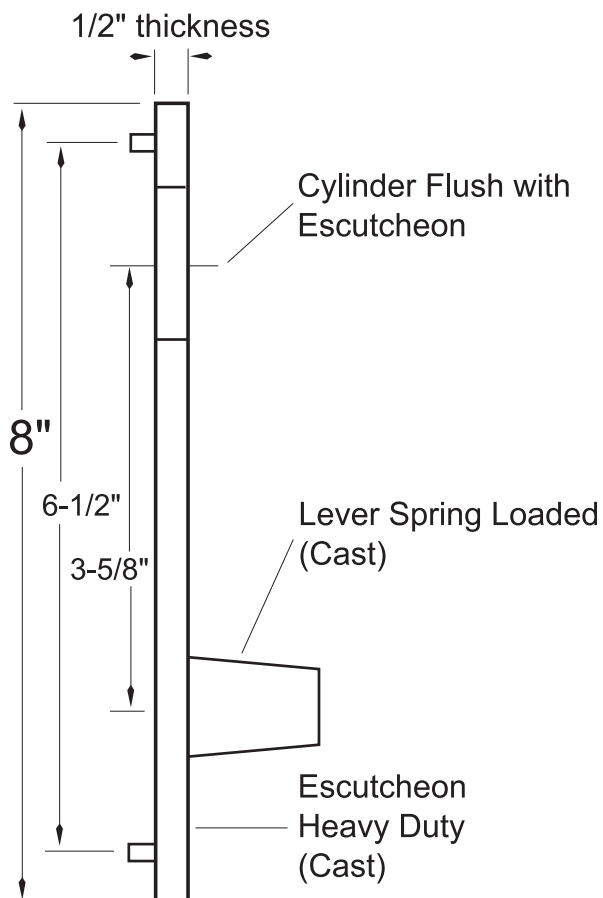
MISCELLANEOUS

ADA Compliance Kit

- Easy to install, simply remove the old knob and trim and install kit on door
- Superior engineering
- ADA Kit provides you with the solution to ADA compliance with minimum modification
- 2 thru-bolts and instruction supplied
- FINISHES: 3, 4, 10, 10B, 15, 26, 26D



**Adaptable to virtually all
mortise lock manufacturers
in North America**



Kit includes 2 escutcheons and levers

MORTISE CYLINDERS

300 Cylindrical Lock Cylinder

- Solid Brass Body
- FINISHES: 3, 4, 10, 10B, 26D



956 Rim Cylinder

- Solid Brass Body
- Supplied less #44 Compression Ring
- FINISHES: 3, 4, 10, 10B, 26D



951 Mortise Cylinder

- Solid Brass Body
- Available in 1-1/8", 1-1/4", 1-1/2" lengths
- Supplied less 4058 Compression Ring
- FINISHES: 3, 4, 10, 10B, 26D



26 Lockwood keyways and Schlage "C" keyway available

Key Blanks

- Standard 6 - Pin 1004A Key Blanks Nickel Plated
- Sectional Key Blanks available in Nickel Silver or Brass



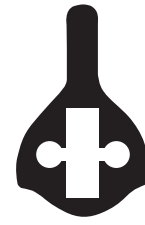
Cams



L-4002
Standard Cam



L4002-2
Adams -Rite Cam



5044 Cam



S475
Cloverleaf Cam

RINGS

4058 Spring Loaded Compression Ring

- For Mortise Cylinder
- FINISHES: 3, 4, 10, 10B, 26D



44 Collar Ring

- For Rim Cylinder
- FINISHES: 3, 4, 10, 10B, 26D



48 Aluminum Collar

- 0.130" high for Cylinder



49 Aluminum Collar

- 0.283" high for Cylinder



2200

MORTISE CYLINDER TUBULAR DEADBOLT SERIES

- Easy to install and superior engineering
- Fit in a standard 160 or 161 Cutout 2-1/8" hole
- Standard Front: 2-1/4" x 1" for 2-3/8" BS
2-1/4" x 1-1/8" for 2-3/4" BS
- Standard Strike: 2-3/4" x 1-1/8" for 2-3/8" BS and 2-3/4" BS
- Cylinder Standard: 951 x 1-1/8" x AR Cam x 1004A x KD

MODEL NO.	FUNCTION
2225	Single Cylinder x Turn Knob x 2-3/4"BS
2227	Double Cylinder x 2-3/4"BS
2229	Single Cylinder x Turn Knob x 2-3/8"BS
2230	Double Cylinder x 2-3/8"BS



2300

SINGLE CYLINDER HEAVY DUTY DEADBOLT

- Easy to install
- Superior engineering
- Fits a standard 160 or 161 Cutout 2-1/8" hole
- Adjustable latch for 2-3/8" or 2-3/4" backset
- Solid Brass Cylinder
- Available in 26 Lockwood keyways and Schlage "C" keyway
- Variety of Finishes available



2350

DOUBLE CYLINDER HEAVY DUTY DEADBOLT

- Easy to install
- Superior engineering
- Fits a standard 160 or 161 Cutout 2-1/8" hole
- Adjustable latch for 2-3/8" or 2-3/4" backset
- Solid Brass Cylinder
- Available in 26 Lockwood keyways and Schlage "C" keyway
- Variety of Finishes available



1084

HEAVY DUTY AUXILIARY LOCK KNOB LATCH SERIES

- Easy to install and superior engineering
- Case: Cast Iron, 2-3/8" x 3-1/2" x 11/16"
- Front: Bronze, 4-1/2" x 1-1/8"
- Hand: Reversible
- Bolt: 1/2" throw, easy spring
- Strike: Bronze, Type 7, lip 1-5/16" to center
- Operation: Latchbolt by knob from either side
- Backset: 2-3/4" and 3"
- Hub: Bronze, for 5/16" spindle



Brass turnknob available



A2214

HEAVY DUTY AUXILIARY LOCK DEADBOLT SERIES

- Easy to install and superior engineering
- For doors 1-3/8" to 1-3/4" thick
- Case: Cast Iron, 2-1/2" x 3-3/8" x 13/16"
- Front: Brass, armored, 4-1/8" x 1-1/16", flat
- Hand: Reversible*
- Bolt: Brass 11/16" throw
- Backset: 2-3/4"
- Turnknob: Brass
- Cylinder: Brass, 6 pin tumbler with two keys
- Can be masterkeyed with other Lockwood locks
- Can be keyed alike (add symbol KA)
- * Except A2214 7/8 must specify hand

MODEL NO.	DESCRIPTION
A2214	Single cylinder by key outside only
A2214 1/2	Single cylinder by key outside x turn knob inside
A2214 3/4	Double cylinder by key both sides
A2214 7/8	Classroom function, single cylinder by key outside, but special turn knob inside can only retract the deadbolt, not project it. (Specify handing)



LOCKWOOD™

Since 1878

Lockwood Industries Inc.

USA/Mexico Tel:1•800•446•1141 Fax:1•603•826•4186

Canada Tel:1•888•678•9898 Fax:1•888•503•6667

Web site www.lockwood1878.com

e-mail info@lockwood1878.com