

LOCKWOOD™

Since 1878

Superior Engineering Premium Architectural Hardware

Door Closers Section



Charlestown • Chicago • Tampa • Toronto

www.lockwood1878.com

TABLE OF CONTENTS

EXIT DEVICES



PUSH BAR EXIT DEVICES		Page
N1500	Heavy Duty Rim Exit Device	
N1550	Rim Exit Device	6
N1650	Fire Rated Heavy Duty Exit Device	
N1700(F)	Vertical Rod Heavy Duty Surface Mounted Exit Device	7
N1750(F)	Mortise Lock Heavy Duty Exit Device	
N1800(F)	Alarm Exit Device	8
CROSS BAR EXIT DEVICES		
N500	Heavy Duty Exit Device	
N550	Rim Exit Device	9
N650	Fire Rated Heavy Duty Exit Device	
N700(F)	Vertical Rod Heavy Duty Surface Mounted Exit Device	10
N750(F)	Mortise Lock Heavy Duty Rim Exit Device	
	How To Order	11
Exterior Trim	12
Lever Trim	13
NARROW STILE EXIT DEVICES		
N900	Narrow Stile Exit Device	
N800	Concealed Vertical Rod Narrow Stile Exit Device	14
N1900(F)	Rim Type Narrow Stile Exit Device	
N1850(F)	Vertical Rod Surface Mounted Narrow Stile Exit Device	15
1600 Series Trim	For Exit Devices: N1900(F) and N1850(F) How To Order N1900(F) and N1850(F)	16
N2150(F)	Rim Type Narrow Stile Exit Device	
N2250(F)	Vertical Rod Surface Mounted Narrow Stile Exit Device	17
Outside Trim	For Exit Devices: N2150(F) and N2250(F) How To Order N2150(F) and N2250(F) Description Of Finishes	18
FEATURING	LCWD 1500	19
STRIKES	20



DOOR CLOSERS

4500	Heavy Duty Multi-Size Full Feature Closer	24
7000	Standard Closer	25
7710	Power Adjustable Closer	26
9000	Heavy Duty Power Adjustable Closer	27



LOCKS

CYLINDRICAL LOCKS

8000	Cylindrical Lock How To Order 8000 Series	28
Functions	For 8000 Series	29
6000	Cylindrical Leverset 6000 Lever Styles	30

MORTISE LOCKS & TRIMS

7100	Heavy Duty Stainless Steel Mortise Lock Series	
7500	Heavy Duty Mild Steel Mortise Lock Series	31
Functions	For 7100/7500 Mortise Lock Series	32
100 & 200 TRIM	For 7100/7500 Series Lever Trim	33
ADA Kit	Compliance Kit For Mortise Lock Series	34

MORTISE CYLINDERS & RINGS

300	Cylindrical Lock Cylinder	
951	Mortise Cylinder	
956	Rim Cylinder	
Key Blanks		
Cams		
Rings	4058 Compression Ring / 44, 48, 49 Collars	35

DEADBOLTS

2200	Mortise Cylinder Tubular Deadbolt Series	
2300	Single Cylinder Heavy Duty Deadbolt	
2350	Double Cylinder Heavy Duty Deadbolt	36

AUXILIARY LOCKS

1084	Heavy Duty Auxiliary Lock Knob Latch Series	
A2214	Heavy Duty Auxiliary Lock Deadbolt Series	37



HINGES

GBB79	Standard Weight Full Mortise Steel Hinge	
GBB91	Standard Weight Full Mortise Stainless Steel Hinge	38
GBB68	Heavy Weight Full Mortise Steel Hinge	
GBB99	Heavy Weight Full Mortise Stainless Steel Hinge	39
G50	Full Mortise Spring Hinge Series	
GCB	Full Mortise Concealed Bearing Hinge Series	40



FLAT GOODS

FLUSH BOLTS

510M	Constant Latching Flush Bolt	
610M	Automatic Flush Bolt	41
DR1500	Fire Rated Extension Flush Bolt	
DR1500A	Extension Flush Bolt For Aluminum Doors	
DR1505	Flush Bolt	42

DOOR STOPS

DR1550	Concave Wall Stop	
DR1560	Convex Wall Stop	
DR1570	Raised Height Dome Stop	
DR1580	Low Height Dome Stop	
DR1590	Heavy Duty Wall Stop	
DR1600	Heavy Duty Floor Stop	
DR1640	Kick Down Door Stop	43

SURFACE BOLTS

DR1810	Top Center Hung Pivot Jamb Portion	
DR1820	Bottom Center Hung Pivot Door Portion	
DR1830	8" Fire Rated Heavy Duty Surface Bolt	44

SURFACE BOLTS (continuous)

DR1840	12" Heavy Duty Surface Bolt	
DR1850	18", 24", 36", 60" Heavy Duty Surface Bolt	
DR1860	Pull Plate	45

PULLS & PLATES

DR1870	5-1/2" (Center to Center) Door Pull	
DR1875	3/4" Round Door Pull	
DR1880	7" (Center to Center) Door Pull	46
DR1885	1" Round Door Pull	
DR1890	9" (Center to Center) Door Pull	
DR1895	D-Shape Door Pull	47
DR389PP	Pull Plate	
DR1900	Kick Plate (.050)	
DR1910	Push Plate (.050)	48



MISCELLANEOUS

Door Savers	49
Latch Protectors	55
Thresholds, Sweeps & Weatherstripping	57
Mullion	60
Concealed Security Chain Coordinators Corner Guards	61
Fillers Overhead Surface Type Door Holders	62
Shims Sliding Door Lock Slots Smoke Gasket	63

FEATURING

Display Door	64
--------------------	----

DESCRIPTION OF FINISHES

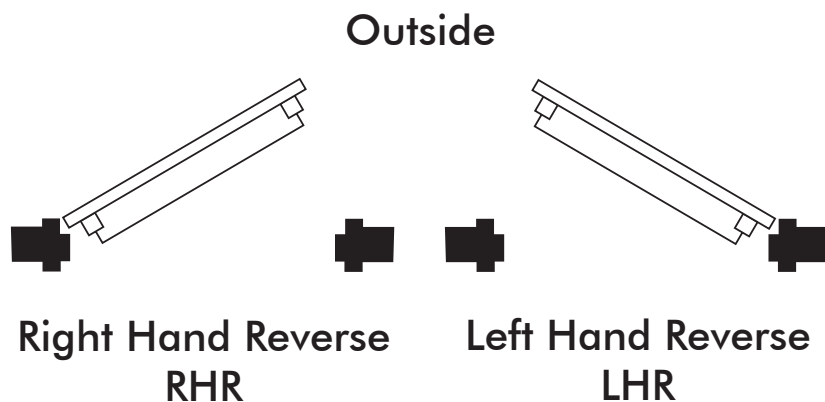


- 3 Bright Brass
- 4 Dull Brass
- 5 Satin Brass
(Blackened, satin relieved, clear coated)
- 10 Dull Bronze
- 10B Statuary Bronze
(Oil Rubbed)
- 15 Dull Nickel Plated
- 20 Statuary Bronze
- 20M Medium Bronze
- 26 Bright Chrome Plated
- 26D Dull Chrome Plated
- 27 Powder Coated Aluminum
- 28 Satin Aluminum, Clear Anodized
- 32D Dull Stainless Steel
- AMB Anodized Medium Bronze
(Duronautic)
- DBPC Dark Brown Powder Coated

**When ordering Exit Devices
"LHR" or "RHR" must be specified.**

Available for devices:

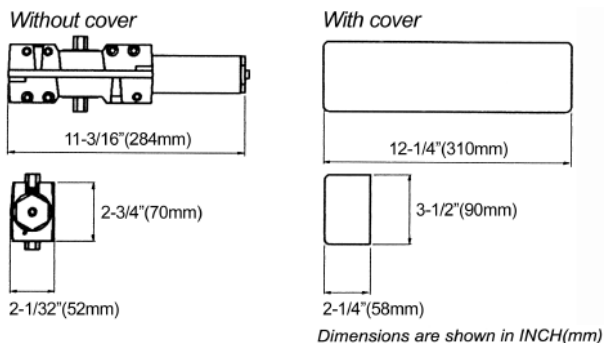
N500, N650, N700(F), N750(F), N1500,
N1650, N1700(F) & N1750(F)



4500

HEAVY DUTY MULTI-SIZE FULL FEATURE CLOSER SERIES

- Easy to install and superior engineering
- Complies with ANSI A156.4 Grade 1
- C-UL US listed
- ADA (Handicap) multi-sized closers with adjustable Spring Power for a range of sizes adjustable after installation
- Manufactured under ISO 9001 guidelines
- Tri-Style installation: Installs regular, parallel arm or top jamb
- Non-Handed, installs on either side of door
- Adjustable Sweep and Latch speeds, separate valves to adjust each speed
- Adjustable Back-check standard
- Adjustable Delayed Action Closing Option. Closers to be furnished with delayed action feature, suffix "DA" to catalog number
- Cover made of High Impact UL listed molded plastic full cover
- Power of closer can be adjusted to conform to the requirements of the Americans with Disabilities Act (ADA) and as outlined in ANSI A117.1 Specifications for Making Buildings and Facilities Accessible To and Usable By the Physically Handicapped
- Door Opening: regular arm 120°, parallel arm 180°, and top jamb 120°
- FINISHES: Steel Cover - Silver, Duro, Polished Stainless, Polished Brass
Plastic Cover - Silver, Duro, Gold
- Lifetime Guarantee



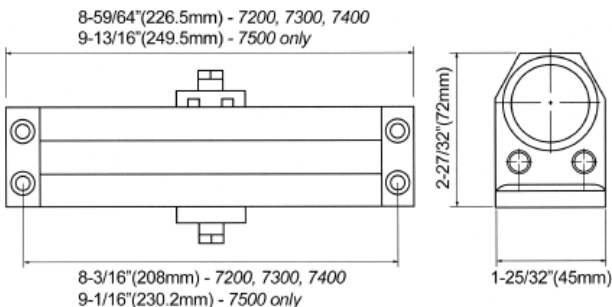
MODEL	CLOSER CONTROLS		
	Latching	Back-Check	Delayed Action
4500	●	●	
4500 DA	●	●	●

SIZE	MAXIMUM DOOR WIDTH WOOD OR METAL Inches(Meters)		APPLICABLE DOOR WEIGHT Lbs(kg)	POWER ADJUSTMENT Full 360° Clockwise Turns of Adjustment Nut
	INTERIOR DOOR	EXTERIOR DOOR		
1	32"(0.81m)	28"(0.71m)	33~66(15~30)	-6
2	36"(0.91m)	32"(0.81m)	66~99(30~45)	-3
3	42"(1.07m)	36"(0.91m)	99~143(45~65)	0
4	48"(1.22m)	42"(1.07m)	143~187(65~85)	3
5	54"(1.37m)	48"(1.22m)	187~264(85~120)	7
6	58"(1.47m)	52"(1.32m)	264~330(120~330)	12

7000

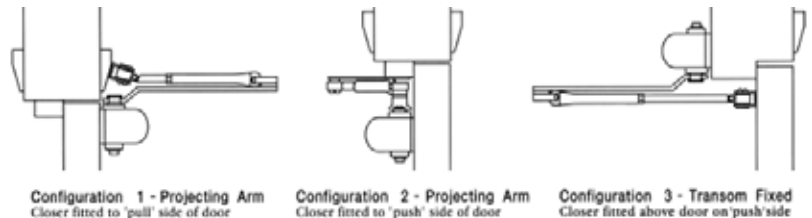
STANDARD CLOSER SERIES

- Easy to install
- Superior engineering
- C-UL US listed
- Universal application as standard
- Two valve adjustment to incorporate closing and latching speed
- Non-Handed
- Needle bearing application (only for size 5)
- Cast aluminium body and corrosion-resistant
- Adjustable forearm
- Optional parallel arm bracket (P)
- Optional back-check cushioning (BC) (Except size 1 closer)
- Optional hold open arm
- Optional built-in hold open (only size 1 closer)
- Optional Drop Plate
- Optional decorative slim plastic cover
- Optional Tracked Arm
- STANDARD FINISHES: Silver, Dark Bronze, Gold
- OPTIONAL FINISHES: Various Colors (Black, White and etc.)
- 10 year Guarantee



Dimensions are shown in INCH(mm)

Fitting Configuration



SIZE	ITEM	MAXIMUM DOOR WIDTH REGULAR ARM Inches(Meters)		MAXIMUM DOOR WIDTH PARALLEL ARM Inches(Meters)		MAX DOOR WEIGHT Ref Lbs(kg)	CLOSING FORCE Nm(Kgf.m)
		INTERIOR DOOR	EXTERIOR DOOR	INTERIOR DOOR	EXTERIOR DOOR		
1	7100	32"(0.81m)	28"(0.71m)	28"(0.71m)	24"(0.61m)	33~66(15~30)	11(1.2)
2	7200	36"(0.91m)	32"(0.81m)	32"(0.81m)	28"(0.71m)	66~99(30~45)	21(2.2)
3	7300	42"(1.07m)	36"(0.91m)	36"(0.91m)	32"(0.81m)	99~143(45~65)	30(3.1)
4	7400	48"(1.22m)	42"(1.07m)	42"(1.07m)	36"(0.91m)	143~187(65~85)	36(3.7)
5	7500	54"(1.37m)	48"(1.22m)	48"(1.22m)	42"(1.07m)	187~264(85~120)	49(5.0)

7710

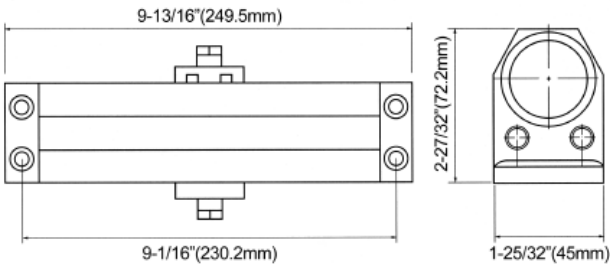
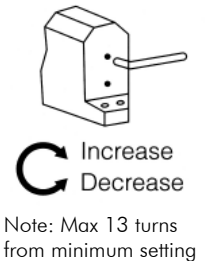
POWER ADJUSTABLE CLOSER SERIES

- Easy to install
- Superior engineering
- C-UL US listed
- Power adjustable closer
- Standard: Size 2-5 / BF: Size 1-4
- Standard adjustable back-check or delayed action function
- Non-Handed
- Needle bearing application
- Standard plastic cover
- Standard PA bracket for tri-packed application
- Cast aluminium body and corrosion-resistant
- Optional polished brass / stainless steel finish with steel cover and arm
- Optional adjustable hold open arm
- Optional Drop Plate
- Optional Tracked Arm
- STANDARD FINISHES: Silver, Dark Bronze, Gold
- OPTIONAL FINISHES: Various Colors (US3 Polished Brass, US32 Polished Chrome, Black and etc.)
- 10 year Guarantee



Adjust spring tension according to the following chart

MODEL	CLOSER SIZE	FULL TURN OF SPRING ADJUSTING NUT
7710	2	0
	3	4
	4	8
	5	13



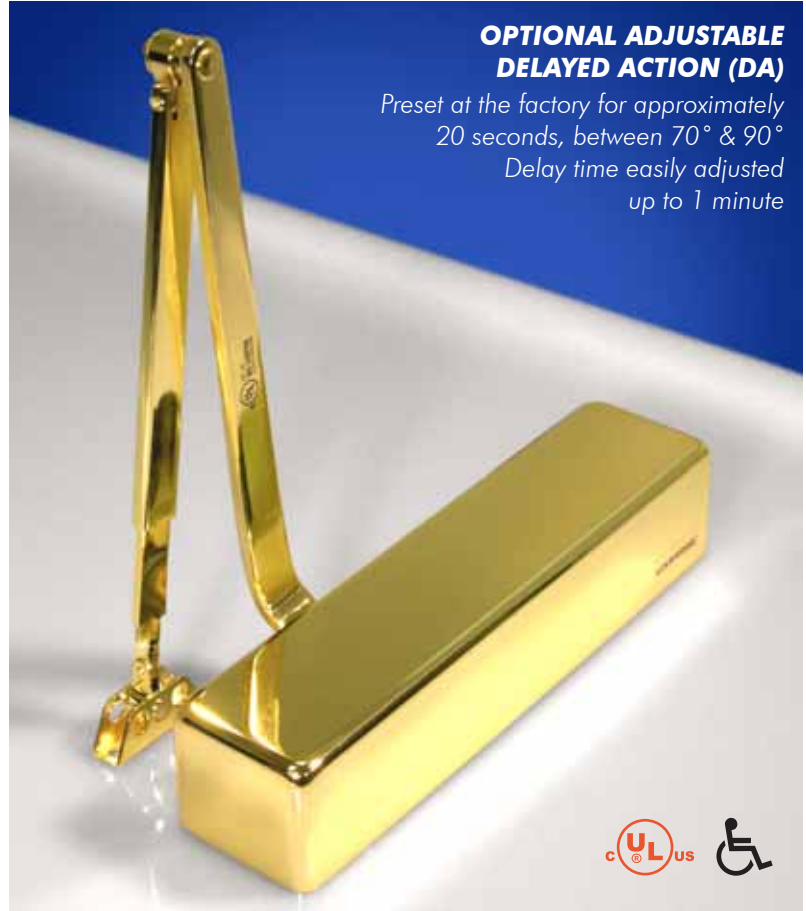
Dimensions are shown in INCH(mm)

SIZE	ITEM	MAXIMUM DOOR WIDTH REGULAR ARM Inches(Meters)		MAXIMUM DOOR WIDTH PARALLEL ARM Inches(Meters)		MAX DOOR WEIGHT Ref Lbs(kg)	CLOSING FORCE Nm(Kgf.m)
		INTERIOR DOOR	EXTERIOR DOOR	INTERIOR DOOR	EXTERIOR DOOR		
2	7710	36"(0.91m)	32"(0.81m)	32"(0.81m)	28"(0.71m)	66~99(30~45)	21(2.2)
3	7710	42"(1.07m)	36"(0.91m)	36"(0.91m)	32"(0.81m)	99~143(45~65)	30(3.1)
4	7710	48"(1.22m)	42"(1.07m)	42"(1.07m)	36"(0.91m)	143~187(65~85)	36(3.7)
5	7710	54"(1.37m)	48"(1.22m)	48"(1.22m)	42"(1.07m)	187~264(85~120)	49(5.0)

9000

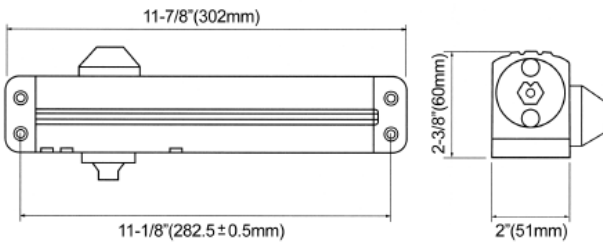
HEAVY DUTY POWER ADJUSTABLE CLOSER SERIES

- Easy to install
- Superior engineering
- C-UL US listed
- ANSI 156.4 Grade 1
- Power adjustable closer (Standard: Size 1-6)
- Standard adjustable back-check function
- Needle bearing application
- Efficiency over 70%
- Highly precise closer for high performance
- Standard plastic full cover
- Standard PA bracket for tri-packed application
- Optional polished brass / stainless steel cover and arm set
- Optional adjustable hold open arm
- Optional Cush-n stop arm
- Optional forged hold open arm
- Optional Tracked Arm
- FINISHES: Steel Cover - Silver, Duro, Polished Stainless, Polished Brass
- Plastic Cover - Silver, Duro, Gold
- 25 year Guarantee



OPTIONAL ADJUSTABLE DELAYED ACTION (DA)

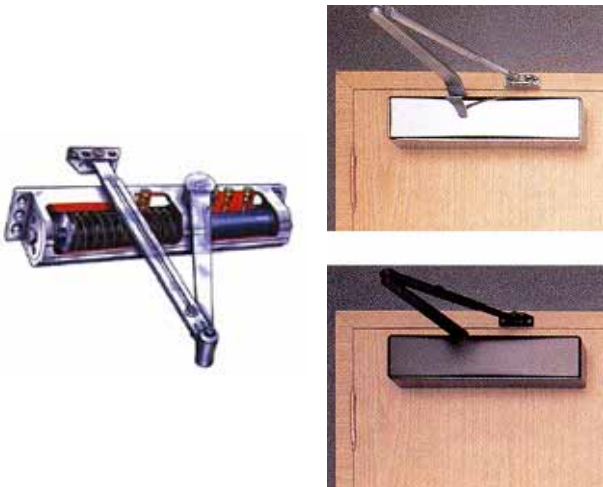
Preset at the factory for approximately 20 seconds, between 70° & 90°
Delay time easily adjusted up to 1 minute



Dimensions are shown in INCH(mm)

9000 Series is fully adjustable for most door sizes, weights and operating conditions.

MODEL	SIZE	BC (Back-Check)	DA (Delayed Action)
9000	1-6	●	
9000 DA	1-6	●	●



LOCKWOOD™

Since 1878

Lockwood Industries Inc.

USA/Mexico Tel:1•800•446•1141 Fax:1•603•826•4186

Canada Tel:1•888•678•9898 Fax:1•888•503•6667

Web site www.lockwood1878.com

e-mail info@lockwood1878.com